

# D8T

## Track-Type Tractor



### Engine

Engine Power – 1,600 rpm

SAE J1995 (Gross) 273 kW

ISO 14396 269 kW

ISO 14396 (DIN) 365 hp

Engine Power – 1,900 rpm

ISO 9249/SAE J1349 242 kW

ISO 9249/SAE J1349 (DIN) 328 hp

### Weights

Operating Weight

Standard 38 351 kg

LGP 36 763 kg

Shipping Weight

Standard 29 553 kg

LGP 30 506 kg

## Productivity

Proven Cat® C15 ACERT™ engine gives you more horsepower and proven reliability. Get more work done in less time with a larger blade. Keep working as temperatures rise with more efficient cooling and improved ambient capability.\*

## Ease of Operation

Optional electro-hydraulic controls give you greater precision and response, and enable time-saving GRADE technologies.

## Cat Connect Technology

GRADE for Dozers technologies like Cat GRADE with Slope Assist and Cat AccuGrade™ help you get jobs done faster and more accurately.

## Ease of Maintenance

The D8T features easy service access and a variety of optional features to help make maintenance even easier so you can get back to work faster.

\*Compared to previous model D8R.



## Contents

Power and Performance.....	3
Operator Environment.....	4
Cat Connect Technology.....	5
Equipped for the Job .....	6
Desert Arrangement.....	7
Serviceability and Customer Support.....	8
Specifications.....	9
Standard Equipment.....	13
Optional Equipment.....	14

The latest generation Cat D8T dozer offers more horsepower, up to 18 percent better dozing efficiency and up to 10 percent fuel savings compared to the previous model. Updated cooling and a new power train, powered by a proven Cat C15 ACERT engine, delivers up to 20 percent better ambient capability. Productivity is improved too, with the largest blade in the size class to help you move up to 13 percent more material per pass. A choice of Cat Connect GRADE technology options help you get more work done in less time.

# Power and Performance

## Designed to get the job done

### Productivity

- Cat C15 ACERT engine delivers more horsepower\* with more than a decade of proven reliability in a wide range of working conditions.
- Move up to 13 percent more material per pass\* with the largest standard blade in the size class (10.3 m<sup>3</sup>).
- Traditional features like elevated sprocket, differential steering and planetary power shift transmission with high efficiency torque divider give you the power, durability and reliability you expect from a Cat D8.



### High Ambient Capability

- Keep working, even in high temperatures, with increased cooling capability.\*
- More efficient power train, hydraulic fan and new radiator increase ambient capability up to 20 percent.\*

### Efficiency

- Added productivity, and up to 10 percent fuel savings, delivers up to 18 percent better dozing efficiency.\*
- Save fuel with a hydraulic demand fan that reduces speed in cooler conditions. Reversing capability for high debris conditions.
- Auto Shift automatically down shifts to the most efficient gear based on load, adding to overall fuel savings.

*\*Compared to previous model D8R.*

# Operator Environment

## Comfort and productivity



A quiet, comfortable cab, with an Integrated Roll Over Protection Structure (ROPS), gives operators greater all around visibility to enhance safety and productivity. Pressurization helps keep dust out for a cleaner operating environment. A low-effort single tiller-style handle controls direction and gear selection for ease of operation.

Added comfort and safety features include heated/ventilated seat option and an available visibility package with rear vision camera.

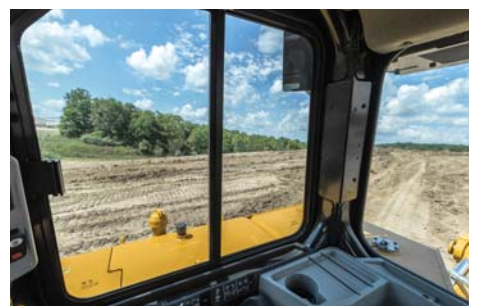
### Pilot Hydraulics

Pilot hydraulic controls are standard. An updated primary display is easy to read, monitoring machine operations, diagnostic events and modes of operation.

### Electro-Hydraulic Controls

Optional electro-hydraulic controls reduce operator effort, improve precision and response, and enable Cat Connect GRADE technologies. A new optional Liquid Crystal Display (LCD) places machine data, settings menus, grade control data and more conveniently in front of the operator. The display is also rear-camera ready for added safety.

*Note: Liquid Crystal Display shown.*





# Cat Connect Technology

Helping you work smarter



## GRADE for Dozers

Cat Connect GRADE technologies help you hit target grade faster and more accurately. Finish jobs in fewer passes, and with less operator effort, saving you time and helping you increase profit.

**Cat Slope Indicate\*** is standard with electro-hydraulics, displaying real-time machine cross-slope and fore/aft orientation on the primary monitor, helping operators work more accurately on slopes.

Automatically maintain established blade position with optional **Cat GRADE with Slope Assist.\*** Finish jobs faster, with better surface quality and significantly less operator effort. Requires no additional hardware or software.

Versatile, scalable **Cat AccuGrade** is an optional, dealer-installed grade control system. Choice of Laser, Global Navigation Satellite System (GNSS) or Universal Total Station (UTS) so you get the right level of accuracy to match your job requirements.

*\*Requires Electro-hydraulic controls.*



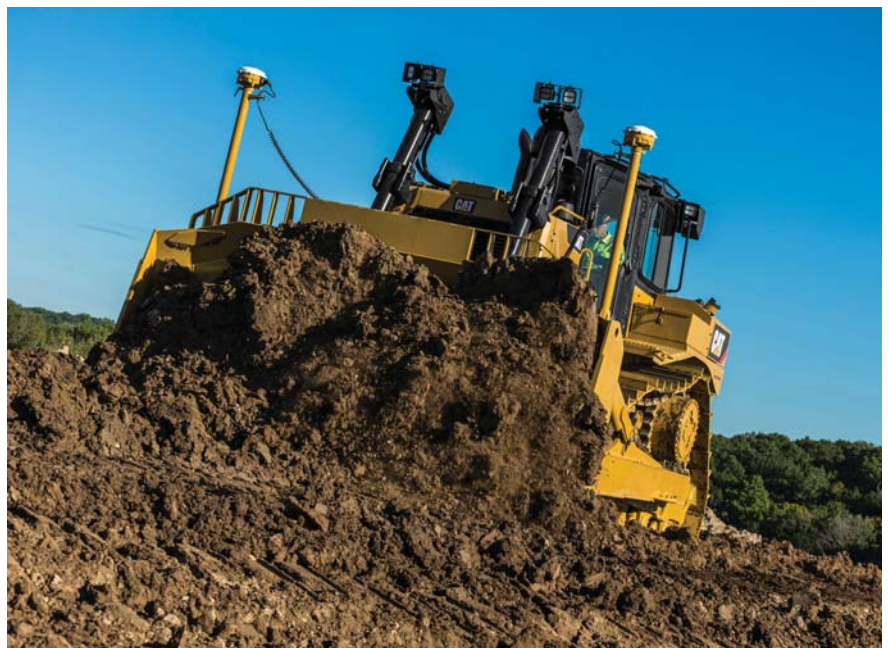
## LINK Technologies

LINK technologies provide wireless capability to machines enabling two-way transfer of information collected by on-board sensors, control modules, and other Cat Connect technologies using off-board apps, such as our VisionLink® software.

## Product Link™\*\*/VisionLink

Product Link takes the guesswork out of equipment management. Track location, hours, fuel usage, productivity, idle time, and diagnostic codes through the online VisionLink interface. Manage your fleet in real time so you can maximize efficiency, improve productivity, and lower operating costs.

*\*\*Not available in all areas. Please consult your Cat dealer for details.*



# Equipped for the Job

## Optimize your machine

### Bulldozers

Move up to 13 percent more material per pass with the largest standard blade in the size class (10.3 m<sup>3</sup>). Blades are designed for durability with high tensile strength steel, strong box-section design, heavy moldboard construction and hardened bolt-on cutting edges/end bits. Standard deflector shields and optional rock guard help protect cylinders. Optional moldboard wear plate protects against high abrasive/impact applications.

Tag-link design mounts the blade closer to the machine for excellent maneuverability, balance and blade penetration. Optional Dual Tilt allows the operator to tilt the blade forward for better penetration, then tilt back to increase carrying capacity for better load control and productivity.

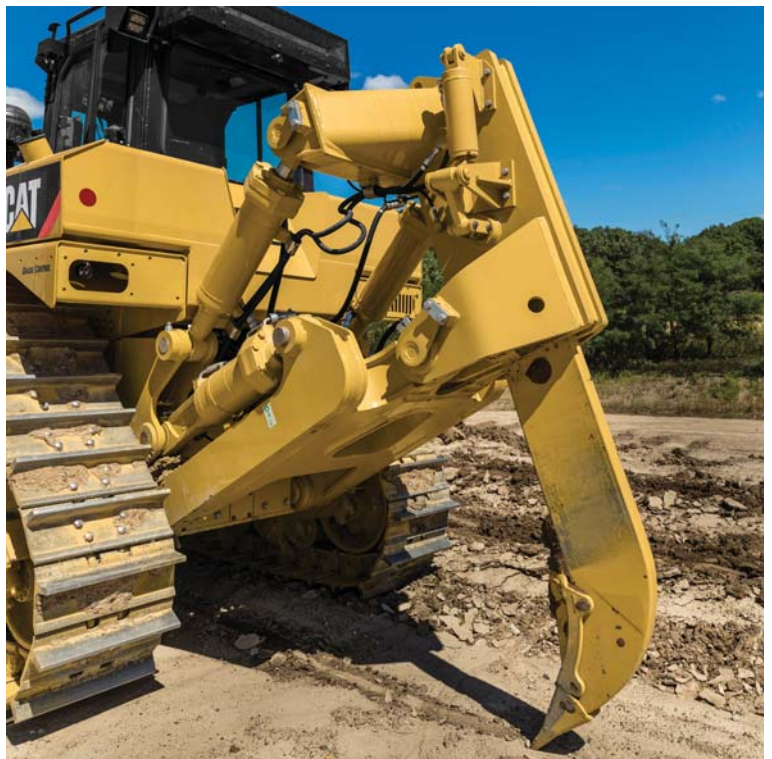
### Undercarriage

The elevated sprocket design helps protect major components from harsh impacts and provides a modular design for convenient service. A fully suspended undercarriage provides more ground contact, especially in hard, uneven terrain.

The exclusive Cat Positive Pin Retention system is designed for high-impact and high load applications, locking the link to the pin to ensure internal lubrication between track pin and bushing is maintained. Lifetime lubricated idlers and track/carrier rollers provide the ability to re-use internal components and rebuild or reshell components for reduced owning and operating costs.

### Rear Implements

Single shank ripper depth and multi-shank adjustable parallelogram rippers are available. Single-Shank ripper depth can be adjusted from the seat using an optional pin puller. Or, outfit your dozer with a winch, drawbar or rear counterweight. Ask your Cat dealer for available options to suit your applications.



## Structures

The foundation of every Cat dozer is a rugged mainframe built to absorb high impact shock loads and twisting forces.

Castings add strength to the main case and equalizer bar saddle. The pivot shaft runs through the mainframe and connects the roller frame for independent oscillation. This provides strength, and allows the machine to better follow ground contours for maximum traction and operator comfort.



## Desert Arrangement

Purpose-built for performance

### Desert Arrangement

The new D8T brings you increased cooling capacity and up to 20 percent higher ambient capability. In sandy materials, push in second gear for added dozing productivity.

You can equip your dozer for the demands of desert applications with features ideally suited to support machine performance and service life in extremely sandy or abrasive conditions. Choose from these options:

- Precleaner Turbine air intake system prevents nearly all of the heavier-than-air particles from entering the system, which results in longer air filter life, more efficient engine performance and decreased maintenance expenses.
- Engine enclosure doors are solid at the bottom to help reduce the amount of sand carried into the engine compartment for improved cooling and reduced cleanout time.
- Specially coated fan and radiator core protection help resist abrasion. Reversing function is disabled on the hydraulic demand fan.
- Sealed bottom guard and added seals help keep fine abrasive particles out of components. Bottom guard access panels facilitate cleanout without removing bottom guard.
- Wear plates can be replaced to give you longer blade life when working in abrasive conditions.
- Cab-mounted air conditioning condenser recommended to help improve system performance and aid serviceability.

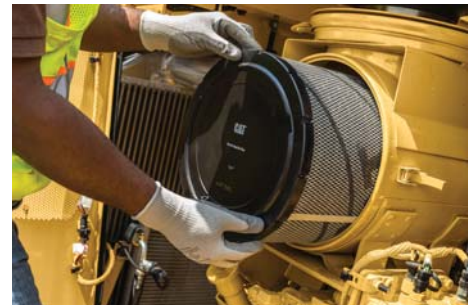
# Serviceability and Customer Support

When uptime counts



Like all Cat dozers, the D8T is designed with features like wide engine panel access doors to minimize maintenance and repair time. You can also outfit your dozer with these optional service features to make maintenance even easier so you can get back to work faster:

- Cab-mounted air conditioning condenser supports better system performance, improved engine cooling and serviceability.
- Ecology drains help reduce spills during power train fluid changes.
- Fast fuel system at ground level, with positive fuel shut-off, helps prevent fuel spillage/waste and speeds refueling for more uptime.
- High-speed oil change attachment to help make servicing even faster.



## Renowned Cat Dealer Support

Knowledgeable Cat dealers have a global reputation for providing outstanding sales and service. When you need repairs, Cat dealers and our unmatched Caterpillar distribution network excel at getting you the right parts you need quickly.

Maximize your equipment investment with services like Customer Support Agreements, preventive maintenance programs and guaranteed maintenance contracts. Remanufactured parts offer a lower cost replacement option, and Certified Rebuild gives a "second life" for your machine. Cat dealers can even help you with operator training to help boost your profits. Contact your Cat dealer to learn more about available services best suited to your business.



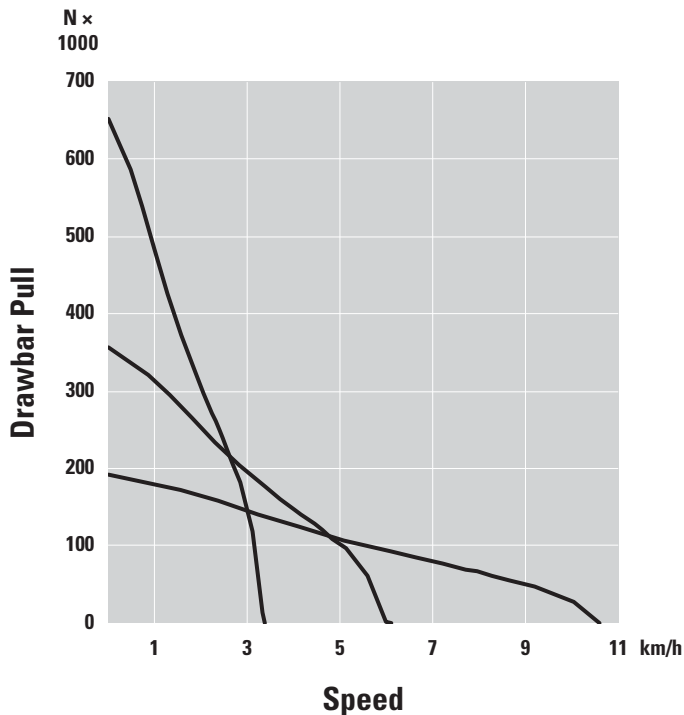


# D8T Track-Type Tractor Specifications

## Engine

Engine Model	Cat C15 ACERT
Emissions	Meets U.S. EPA Tier 3/ EU Stage IIIA equivalent, China Nonroad III or U.S. EPA Tier 2/EU Stage II/ China Nonroad II equivalent emission standards
Engine Power – 1,600 rpm	
SAE J1995 (gross)	273 kW
ISO 14396	269 kW
ISO 14396 (DIN)	365 hp
Engine Power – 1,900 rpm	
ISO 9249/SAE J1349	242 kW
ISO 9249/SAE J1349 (DIN)	328 hp
Bore	137 mm
Stroke	172 mm
Displacement	15.2 L

- ISO 9249 is the power available at the flywheel when the engine is equipped with fan, air cleaner, muffler, and alternator.
- No derating required up to 3658 m altitude, beyond 3658 m automatic derating occurs.



## Service Refill Capacities

Fuel Tank	600 L
Cooling System	62 L
Engine Crankcase*	38 L
Power Train	155 L
Final Drives (each)	12.5 L
Roller Frames (each)	65 L
Pivot Shaft Compartment	40 L

\*With oil filters.

## Weights

Operating Weight	
Standard	38 351 kg
LGP	36 763 kg
Waste Handler	38 265 kg
LGP Waste Handler	40 483 kg
Shipping Weight	
Standard	29 553 kg
LGP	30 506 kg
Waste Handler	32 227 kg
LGP Waste Handler	34 269 kg

- Operating Weight – Standard: Includes hydraulic controls, blade, tilt cylinder, coolant, lubricants, 100% fuel, ROPS, FOPS cab, SU-Blade, Single-Shank Ripper, 610 mm Moderate Service shoes, and operator.
- Operating Weight – LGP: Includes hydraulic controls, blade, tilt cylinder, drawbar, coolant, lubricants, 100% fuel, ROPS, FOPS cab, SU-Blade, 965 mm Moderate Service shoes, and operator.
- Operating Weight – Waste: Includes hydraulic controls, tilt cylinder, striker box, coolant, lubricants, 100% fuel, ROPS, FOPS cab, SU- Waste Blade, 610 mm Moderate Service trapezoidal shoes for Standard/965 mm Moderate Service trapezoidal shoes for LGP, and operator.
- Shipping Weight: Includes coolant, lubricants, 20% fuel, ROPS, FOPS cab. For Standard includes 610 mm Moderate Service shoes; for LGP includes 965 mm Moderate Service shoes.
- Waste Handler Shipping Weight includes coolant, lubricants, 20% fuel, ROPS, FOPS cab, striker box. For Waste Handler includes 610 mm Moderate Service shoes; for LGP Waste Handler includes 965 mm Moderate Service shoes.

# D8T Track-Type Tractor Specifications

## Undercarriage – Standard

Shoe Type	Moderate service
Width of Shoe	610 mm
Shoes/Side	44
Grouser Height	78 mm
Pitch	216 mm
Ground Clearance	618 mm
Track Gauge	2082 mm
Length of Track on Ground	3207 mm
Ground Contact Area	3.9 m <sup>2</sup>
Track Rollers/Side	8
Number of Carrier Rollers	1 per side (optional)
Ground Pressure (ISO 16754)	86.4 kPa

- Positive Pin Retention Track.

## Undercarriage – LGP

Shoe Type	Moderate service
Width of Shoe	965 mm
Shoes/Side	44
Grouser Height	78 mm
Pitch	216 mm
Ground Clearance	216 mm
Track Gauge	2337
Length of Track on Ground	3207 mm
Ground Contact Area	6.19 m <sup>2</sup>
Track Rollers/Side	8
Number of Carrier Rollers	1 per side (optional)
Ground Pressure (ISO 16754)	52.3 kPa

## Hydraulic Controls

Pump Type	Piston-type, variable displacement
Pump Output (steering)	276 L/min
Pump Output (implement)	232 L/min
Tilt Cylinder Rod End Flow	130 L/min
Tilt Cylinder Head End Flow	170 L/min
Bulldozer Relief Valve Setting	24 100 kPa
Tilt Cylinder Relief Valve Setting	24 100 kPa
Ripper (lift) Relief Valve Setting	24 100 kPa
Ripper (pitch) Relief Valve Setting	24 100 kPa
Steering	39 200 kPa

- Steering Pump output measured at 2,300 rpm and 30 000 kPa.
- Implement Pump output measured at 1,850 rpm and 6895 kPa.
- Electro-hydraulic pilot valve assists operations of ripper and dozer controls. Standard hydraulic systems includes four valves.
- Complete system consists of pump, tank with filter, oil cooler, valves, lines, linkage and control levers.

## Transmission

1 Forward	3.4 km/h
2 Forward	6.1 km/h
3 Forward	10.6 km/h
1 Reverse	4.5 km/h
2 Reverse	8.0 km/h
3 Reverse	14.2 km/h
1 Forward – Drawbar Pull (1,000)	650.7 N
2 Forward – Drawbar Pull (1,000)	356.9 N
3 Forward – Drawbar Pull (1,000)	191.8 N

# D8T Track-Type Tractor Specifications

## Blades

Type	8SU	8U	8A Angle and Straight	8SU LGP	8SU Landfill	LGP Landfill
Capacity (SAE J1265)	10.3 m <sup>3</sup>	11.7 m <sup>3</sup>	4.7 m <sup>3</sup>	9.9 m <sup>3</sup>	21.2 m <sup>3</sup>	22.2 m <sup>3</sup>
Width (over end bits)	4041 mm	4267 mm	4990 mm	4542 mm	4041 mm	4542 mm
Height	1750 mm	1740 mm	1174 mm	1612 mm	2538 mm	2427 mm
Digging Depth	578 mm	575 mm	628 mm	575 mm	578 mm	575 mm
Ground Clearance	1235 mm	618 mm	1308 mm	1228 mm	1235 mm	1228 mm
Maximum Tilt	883 mm	954 mm	729 mm	829 mm	883 mm	829 mm
Weight (without hydraulic controls)	4789 kg	5352 kg	5459 kg	4850 kg	5675 kg	5369 kg

## Single-Shank, Adjustable Parallelogram Rippers

Number of Pockets	1
Added Length	1692 mm
Maximum Clearance Raised (under tip, pinned in bottom hole)	636 mm
Maximum Penetration (standard tip)	1130 mm
Maximum Penetration Force (shank vertical)	129.8 kN
Maximum Penetration Force with optional push block (1095 kg)	142.7 kN
Pry out Force	224.9 kN
Pry out Force with optional push block (1095 kg)	213.5 kN
Weight (without hydraulic controls)	4085 kg
Weight – Optional Push Block	1095 kg

## Multi-Shank, Adjustable Parallelogram Rippers

Number of Pockets	3
Added Length	1598 mm
Overall Beam Width	2464 mm
Maximum Clearance Raised (under tip, pinned in bottom hole)	593 mm
Maximum Penetration (standard tip)	780 mm
Maximum Penetration Force (shank vertical)	124.2 kN
Pry out Force (multi-shank ripper with one tooth)	227.9 kN
Weight (one shank, without hydraulic controls)	4877 kg
Weight Additional Shank	332 kg

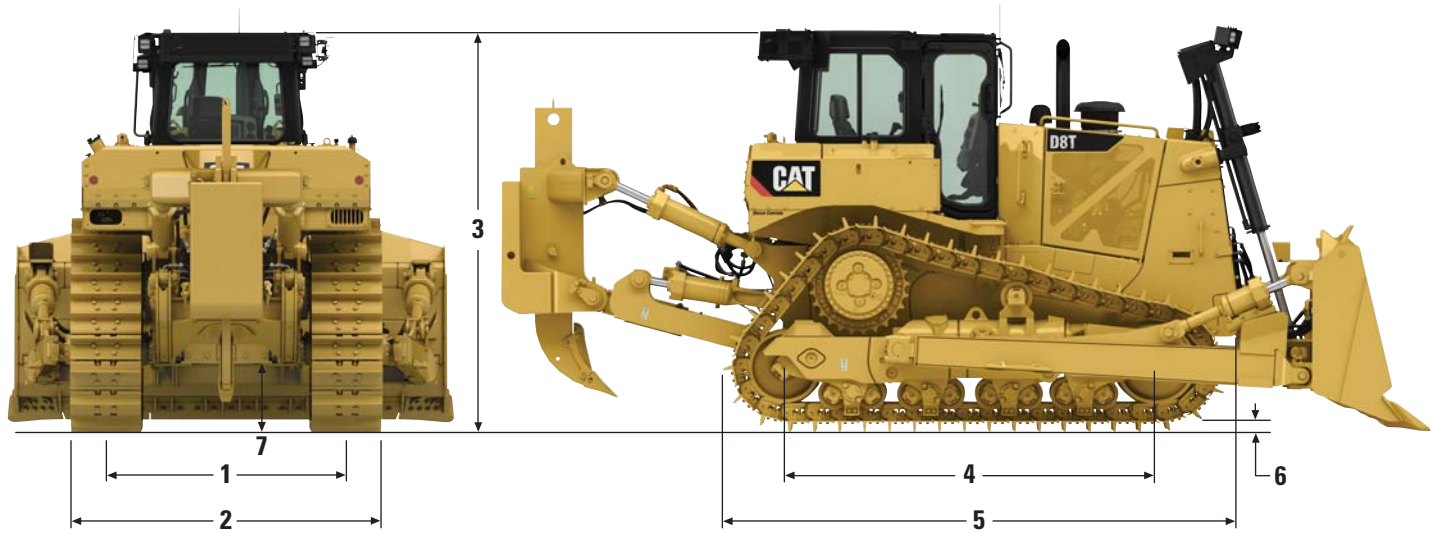
## Standards

- ROPS (Rollover Protective Structure) offered by Caterpillar for the machine meets ROPS criteria ISO 3471:2008.
- FOPS (Falling Object Protective Structure) meets ISO 3449:2005 Level II.
- The declared dynamic operator sound pressure level is 80 dB(A) when “ISO 6396:2008” is used to measure the value for an enclosed cab. On machines equipped with the sound package, the declared dynamic operator sound pressure level is 78 dB(A) when “ISO 6396:2008” is used to measure the value for an enclosed cab. The measurements were conducted at 70% of the maximum engine cooling fan speed. The sound level may vary at different engine cooling fan speeds. The cab was properly installed and maintained.
- Hearing protection may be needed when the machine is operated with an open operator station for extended periods or in a noisy environment. Hearing protection may be needed when the machine is operated with a cab that is not properly maintained, or when the doors and windows are open for extended periods or in a noisy environment.
- The declared exterior sound power level is 117 dB(A) when the value is measured according to the dynamic test procedures and the conditions that are specified in “ISO 6395:2008.” On machines equipped with the sound package, the declared exterior sound power level is 113 dB(A) when the value is measured according to the dynamic test procedures and the conditions that are specified in “ISO 6395:2008.” The measurements were conducted at 70% of the maximum engine cooling fan speed. The sound level may vary at different engine cooling fan speeds.

# D8T Track-Type Tractor Specifications

## Dimensions

All dimensions are approximate.



	Standard	Non-Suspended	LGP
<b>1</b> Track Gauge	2083 mm	2083 mm	2337 mm
<b>2</b> Width of Tractor			
Width without Trunnions (standard shoe)	2743 mm	2743 mm	3311 mm
Width over Trunnions	3057 mm	3057 mm	3656 mm
<b>3</b> Height			
Top of Stack	3400 mm	3400 mm	3400 mm
ROPS/FOPS Cab	3488 mm	3488 mm	3488 mm
<b>4</b> Length of Track on Ground	3207 mm	3258 mm	3207 mm
<b>5</b> Overall Length of Basic Tractor	4647 mm	4647 mm	4647 mm
With the following attachments add:			
Ripper Single Shank	1519 mm	1519 mm	N/A
Ripper Multi-Shank	1613 mm	1613 mm	N/A
SU Blade	1844 mm	1844 mm	1844 mm
U Blade	2241 mm	2241 mm	N/A
A Blade (not angled)	2027 mm	2027 mm	N/A
A Blade (angled 25 degrees)	3068 mm	3068 mm	N/A
Drawbar	406 mm	406 mm	406 mm
<b>6</b> Height of Grouser	78 mm	78 mm	78 mm
<b>7</b> Ground Clearance	613 mm	606 mm	613 mm
Drawbar Height (center of clevis)	708 mm	701 mm	708 mm

## Standard Equipment

Standard equipment may vary. Consult your Cat dealer for details.

### POWER TRAIN

- Cat C15 ACERT diesel engine
  - Meets U.S. EPA Tier 3/EU Stage IIIA equivalent, China Nonroad III or U.S. EPA Tier 2/EU Stage II/China Nonroad II equivalent emission standards as required by region
- Radiator core, high performance aluminum bar plate
- Air cleaner, precleaner with strata tube dust ejector
- Air to air aftercooler (ATAAC)
- Extended life coolant
- Fan, reversing, hydraulically driven
- Final drives, 4-planet double reduction planetary
- Fuel priming pump
- Muffler with mitered stack
- Transmission powershift, 3F/3R speed
- Parking brake
- Prescreener
- Grill doors, louvered
- Torque divider
- Turbocharger
- Water separator

### UNDERCARRIAGE

- Equalizer bar
- Guards, end track guiding
- Idlers, life time lubricated
- Track adjusters, hydraulic
- Track rollers, life time lubricated
- Track roller frames, suspended
- Sprocket rim segments, replaceable
- Track, sealed and lubricated
  - Positive Pin Retention (PPR)
  - 44 section
- Two piece master links

### ELECTRICAL

- Alarm, back-up
- Alternator
- Batteries, 4, 12V each, 24V system
- Converter, 12V, 10 amp with outlet in cab
- Lights
- Horn, forward warning
- Electric start, 24V

### OPERATOR ENVIRONMENT

- Integrated ROPS/FOPS operator station
- Armrest, adjustable
- Decelerator pedal
- Differential steering tiller bar with dual-twist control
- Electronic monitoring system (EMS)
  - Hydraulic temperature
  - Power train temperature
  - Engine coolant temperature
  - Fuel level
  - Engine speed, tachometer
  - Service hour meter
  - System warning lamps
- Foot pads, dash
- Hydraulic controls, pilot operated with electronic deactivation switch
- Mirror, rearview
- Seat, adjustable contour suspension
- Seatbelt, retractable, 76 mm wide

### OTHER STANDARD EQUIPMENT

- Engine enclosures and hood
- Ripper ready hydraulics
- Front pull device
- Guards, bottom
- Hydraulics
  - Load sensing dozer (lift/tilt) and ripper (lift/pitch)
- Independent steering and implement hydraulic pumps
- Instructions, international
- Mounting, lift cylinder
- Oil cooler, hydraulic
- Operation and Maintenance manual
  - Paper
- Parts book
  - CD ROM
- Product Link ready
- S·O·S<sup>SM</sup> sampling ports
  - Engine oil
  - Coolant
  - Power train oil
  - Hydraulic oil
- Vandalism protection
  - Provision for cap-locks for fluid compartments, engine enclosures and battery box

# D8T Optional Equipment

## Optional Equipment

Note: Some options available by special order only. Please consult your Cat dealer for details.

### POWER TRAIN

- Exhaust wraps, thermal, waste handler

### PRECLEANER

- Precleaner, with screen – dual stage
- Precleaner, turbine – single stage

### FUEL LINES

- Fuel lines, B20 compliant

### FUEL TANK FILLING SYSTEMS

- Fill system, fuel, fast fill

### OIL CHANGE SYSTEM

- Oil change system, high speed

### HYDRAULICS

- Dozer tilt hydraulics
- Hydraulics, dual tilt
- Rear attachment hydraulics
- Rear hydraulics, ripper (pilot)
- Rear hydraulics, ripper (electro-hydraulic)

### FINAL DRIVE ARRANGEMENTS

- Final drives, LGP
- Final drives, LGP, guarded and sealed
- Final drives, cold weather
- Final drives, guarded and sealed

### SPECIAL ARRANGEMENTS

- Desert Arrangement
- Waste Handling Arrangement

### UNDERCARRIAGE

- Gauge arrangement
  - Standard
  - LGP (Low Ground Pressure)
  - Positive pin retention, suspended undercarriage
  - Basic, suspended
  - Suspended with guarded idler
  - Suspended with cold weather rollers and idlers
  - Non-suspended undercarriage arrangements
  - Basic, non-suspended
  - Basic, non-suspended
  - Non-suspended with guarded idlers
- Carrier roller arrangement
- Standard carrier rollers
- Arctic carrier rollers – suspended undercarriage
- Track arrangements
  - Positive pin retention track (44 section)
    - 560 mm extreme service
    - 560 mm extreme service, trapezoidal
    - 610 mm moderate service
    - 610 mm extreme service
    - 660 mm moderate service
    - 660 mm extreme service
    - 710 mm moderate service
    - 610 mm extreme service, trapezoidal
    - 610 mm extreme service
    - 660 mm extreme service trapezoidal
    - 660 mm extreme service, trapezoidal
    - 710 mm extreme service
    - 710 mm moderate service, trapezoidal
    - 710 mm extreme service, trapezoidal
    - 965 mm moderate service
    - 965 mm extreme service, trapezoidal
    - 965 mm extreme service

### STARTERS, BATTERIES AND ALTERNATORS

- Alternator, standard (150 amp)
- Alternator, ducted (150 amp)
- Batteries, standard, 1,000 CCA
- Batteries, cold weather, 1,000 CCA
- Ether starting aid
- Engine coolant heater, 240V

### ELECTRICAL

- Lighting groups\*
- Lights, six halogen work lights
- Lights, premium, 10 LED lights
- Lights, sweeps, eight halogen lights

### OPERATOR ENVIRONMENT

- Cab glass options
  - Glass, single pane
  - Glass, dual pane
  - Canopy (no glass)
- Air conditioning
  - Air conditioning (cab mounted)
  - Air conditioning (underhood)
  - No air conditioning (canopy only)
- Cab seat
  - Seat, heated and ventilated, cloth, air suspension
  - Seat, vinyl, air suspension
  - Seat, cloth, air suspension
  - Seat, vinyl
  - Seat, cloth
- Visibility arrangement
  - Rear vision camera
- Power supply
  - In cab – 12V and 24V
- Screens
  - Screen group – sun
  - Rear screen – cab
  - Rear screen – canopy
- Platform Options
  - Quick opening (high debris applications)
  - 5th percentile

\*Lights for Rippers included in Ripper arrangements

(continued on next page)

## Optional Equipment *(continued)*

Note: Some options available by special order only. Please consult your Cat dealer for details.

### TECHNOLOGY PRODUCTS

- Machine Control
  - Electro-Hydraulics
    - Single Tilt Control for Slope Assist
    - Basic Dual Tilt Control
    - Machine Control, ARO (Single Tilt or dual tilt)
  - Pilot Hydraulics
    - Basic Single Tilt Control (pilot hydraulics)
    - Basic Dual Tilt Control (pilot hydraulics)
- Cat Connect Technology
  - Product Link
    - Product Link Elite – PLE641
    - Product Link – PL631
    - Product Link – PL641
    - No Product Link
  - Cat GRADE with Slope Assist
  - Cat AccuGrade (dealer installed)

### GUARDS

- Bottom guards, standard
- Heavy duty, sealed
- Heavy duty, sealed, powered
- Heavy duty, sealed and sound suppressed
- Heavy duty, sealed with front counterweight
- Multi-access door, heavy duty, sealed (Africa/Middle East only)
- Guard, fuel tank
- Guard, fan debris
- Guard, grill, debris
- Sweeps
- Striker bars – front

### WORK TOOLS

- Rear attachments
  - Drawbar, rear (rigid)
  - Rippers
    - Single shank
    - Single shank with pin puller
    - Single shank with pin puller and striker bars
    - Single shank with push block
    - Single shank with striker bars
    - Multi-shank
    - Multi-shank with striker bars
  - Ripper tooth
    - Multi-shank
    - Single shank
    - Shank, deep
  - Hitch
    - Rear counterweight and hitch
    - Striker bar, storage box, drawbar and hitch
  - Additional rear counterweight

### FLUIDS

- Lubricants/oils
- Lubricant group – high ambient
- Lubricant group – arctic

### COOLANT

- Standard engine coolant (–37° C)
- Arctic engine coolant (–50° C)

### SERVICE PACKAGE

- Ecology drains – transmission and torque converter

### SEALING

- Seals, sound suppression
- Seals, Waste
- Seals, Desert

### BULLDOZER INSTALLATION PACKAGES

- 8SU/U single tilt cylinder
- 8SU/U single tilt cylinder, guarded lines
- 8A blade
- 8 LGP dual tilt cylinders, guarded lines
- 8 LGP single tilt cylinder
- 8 LGP single tilt cylinder, guarded lines
- 8SU/U dual tilt cylinders, guarded lines

### PUSH ARM GROUP

- Single tilt standard
- Dual tilt standard

### BLADE OPTIONS

- 8SU
- 8SU, Landfill
- 8U
- 8U, Landfill
- 8A
- 8SU LGP
- 8SU LGP, Landfill
- 8SU
- 8SU, Landfill
- 8U
- 8U, Landfill
- 8SU LGP
- 8SU LGP, Landfill
- Select blades also available with Rock Guard, Rock Guard and Wear Plate or Push Plate

For more complete information on Cat products, dealer services, and industry solutions, visit us on the web at [www.cat.com](http://www.cat.com)

© 2018 Caterpillar  
All rights reserved

Materials and specifications are subject to change without notice. Featured machines in photos may include additional equipment. See your Cat dealer for available options.

CAT, CATERPILLAR, SAFETY.CAT.COM, their respective logos, "Caterpillar Yellow" and the "Power Edge" trade dress, as well as corporate and product identity used herein, are trademarks of Caterpillar and may not be used without permission.

VisionLink is a trademark of Trimble Navigation Limited, registered in the United States and in other countries.

AEHQ8143 (07-2018)  
Build Number: 19A  
(Afr-ME, Asia Pacific, CIS)

